

AB135

Angled Base for Dome Camera



AB135	
Appearance	Hikvision white
Range of Application	For dome camera
Material	Aluminum alloy
Dimension	Φ136.3 mm x 20 mm (5.37" x .787")
Weight	238 g (8.39 ozs)

NOTES:

Pay attention to color matching.

Install mount on flat wall.

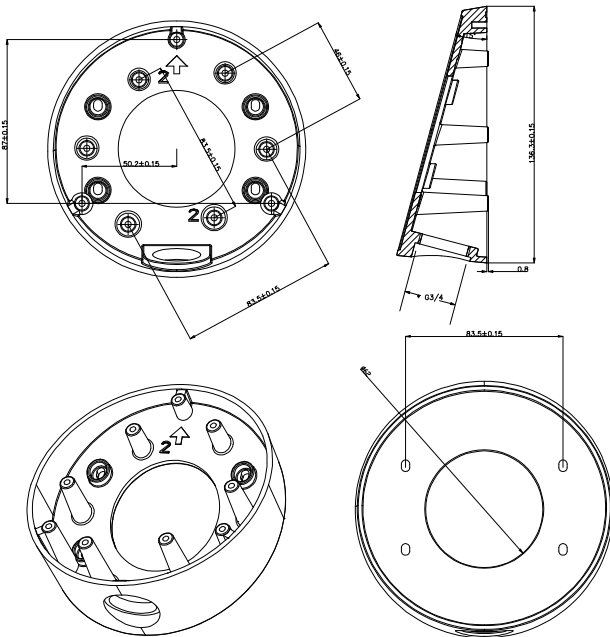
The wall must be capable of supporting over three times as much as the total weight of the camera and the mount.

Maximum load capacity of the mount is 5 kg.

Key Features

- Aluminum Alloy Material with Surface Spray Treatment

Dimensions



NOTE: The actual bracket may vary from the picture above.

Fits the Following Cameras

DS-2CD41xxFxx-IZ
 DS-2CD27x2FWD-IZS
 DS-2CD27x2F-I

Order Model

AB135