

A42

5MP Zoom Bullet with D/N, Adaptive IR, Extreme WDR, SLLS, 2.8x Zoom Lens



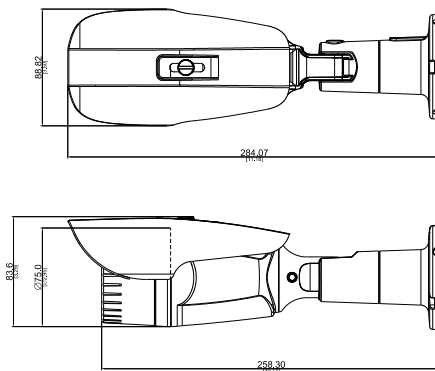
- 5 Megapixel with 1080p
- Day & Night with Superior Low Light Sensitivity and Adaptive IR LED
- 2.8x Zoom Lens with f3.6-10mm / F1.5-2.8, P-Iris, Auto Focus (for installation)
- Extreme WDR (100 dB)
- 30 fps at 2592 x 1944
- Weatherproof (IP66); Vandal Proof Metal Casing (IK10)

PHOTO INDICATION



- | | |
|----------------------|--------------------------|
| ① Audio Output | ⑤ Audio Input |
| ② DC 12V Power Input | ⑥ Ethernet Port |
| ③ Factory Reset | ⑦ Digital Input / Output |
| ④ BNC Video Output | |

DIMENSION DIAGRAM



Unit: mm [inch]

ACCESSORY OPTIONS

Power Supply		
PPOE-0001		IEEE 802.3af PoE Injector for Class 1, 2 or 3 devices, with universal adapter

Popular Mounting Solutions		
Pole	PMAX-0506	
Junction Box	PMAX-0704	

* For more mounting solutions, please refer to Project Planner on www.acti.com

PRODUCT SPECIFICATION

A42

• Device

Device Type	Outdoor Zoom Bullet Camera
Image Sensor	Progressive Scan CMOS
Sensor Size	1/1.8"
Effective Pixels	3096(H) X 2080(V)
Horizontal Resolution	1650 TVL
Day / Night	Yes
Low Light Sensitivity	Superior
Minimum Illumination	Color: 0.1 lux at F1.5 (30 IRE, 2400°K); B/W: 0.05 lux (IR LED on)
Mechanical IR Cut Filter	Yes
IR Sensitivity Range	700 - 1150nm
IR LED	Adaptive IR LED x 22 (850nm)
IR Working Distance	30 m (0 lux, 30 IRE, Gain 255, Auto shutter mode)
Electronic Shutter	1/5 ~ 1/16,000 sec (manual mode)
S/N Ratio	56 dB

• Lens

Focal Length / Aperture	Zoom, f3.6 - 10mm / F1.5 - 2.8
Zoom Ratio / Speed	2.8x optical / 1 sec (wide to tele)
Zoom Application	Camera Installation
Iris	P-iris
Focus	Auto focus
Lens Mount	Board mount
Horizontal Viewing Angle	79.5°~38.1°
Viewing Angle Adjustment	Pan: 0°-360°; Tilt: 0°-90°

• Video

Compression	H.265, H.264 (Baseline/ Main/ High profile), MJPEG
Max. Frame Rate vs. Resolution	30 fps at 2592 x 1944; 30 fps at 2048 x 1536; 30 fps at 1920 x 1080; 30 fps at 1280 x 960; 30 fps at 1280 x 720; 30 fps at 800 x 600; 30 fps at 640 x 480; 30 fps at 320 x 240
Multi-Streaming	Simultaneous triple streams based on 3 video configurations
Privacy Mask	4 Configurable regions
Image Enhancement	Extreme WDR (142 dB); White balance: automatic, manual, hold; Brightness; Digital image stabilizer Contrast; Sharpness (auto); Auto gain control; 2D + 3D digital noise reduction; Defogging
Text Overlay	User defined text on video
Built-in Analytics	Tamper
Image Orientation	Mirror, Flip, Rotation

• Audio

Compression	8kHz, Mono, PCM, 16 bit encoding, G.711
Audio-In	3.5mm Phone Jack (Line in / Microphone in)
Audio-Out	3.5mm Phone Jack (Line out)

• Network

Protocol & Service	IPv4, IPv6, TCP, UDP, HTTP, HTTPS, SMTP, FTP, NTP, DNS, DDNS, DHCP, DIPS, ARP, Bonjour, UPnP, RTSP, RTP, RTCP, IGMP, PPPoE, 3GPP, ICMP, SNMP, QoS, CoS
Ethernet Port	1, Ethernet (10/100 Base-T), RJ-45 connector
Security	IP address filtering; HTTPs encryption; Password protected user levels; Anonymous login

• Alarm

Alarm Trigger	Video motion detection (3 regions); External device through digital input; Sound detection; Tampering detection
Alarm Response	Notify control center; Change camera settings; Command other devices; E-mail notification with snapshots; Upload video or snapshot to FTP server; Activate external device through digital output

• Interface

Digital Input	1, Terminal Block
Digital Output	1, Terminal Block
Analog Video Output	1, BNC

• General

Power Source / Consumption	PoE Class 3 / 10W; DC 12V / 8 W
Weight	0.82 kg (1.807 lb)
Dimensions (Ø x H)	80 x 258.3 mm (3.15" x 10.17")
Environmental Casing	Weatherproof (IP66 rated); Vandal Proof Metal Casing (IK10)
Mount Type	Wall, Ceiling, Pole
Starting Temperature	-20°C ~ 50°C (-4°F ~ 122°F) within 30 minutes
Operating Temperature	-30°C ~ 50°C (-22°F ~ 122°F)
Operating Humidity	20% ~ 80% RH
Approvals	CE (EN 55022 Class A, EN 55024), FCC (Part15 Subpart B Class A), IP66, IK10 (metal casing)

• Integration

Unified Solution	Fully compatible with ACTI software
ISV Integration	Software Development Kit (SDK) available; ONVIF compliant
GPS Position	Manual setting
Firmware Access Browser	Microsoft Internet Explorer 8.0 or newer (full functionality)

* All specifications are subject to change without notice.

* All brand names and registered trademarks are the property of their respective owners.

www.acti.com

