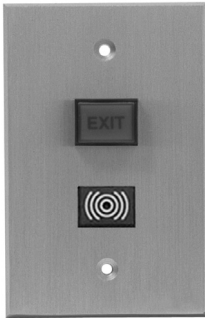


9 Series Pushbuttons



In or Out...we make it Easy!®



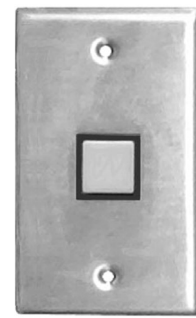
970AUD*
3" x 4-3/4"
(76.2 x 120.7mm)



970
3" x 4-3/4"
(76.2 x 120.7mm)



970N
1-5/8" x 4-3/4"
(41.3 x 120.7mm)



980
2-3/4" x 4-1/2"
(69.9 x 114.3mm)

*Audible alert option also available on 970N. Audible Alert may also be ordered as separate item – 903.

Features & Benefits

970 Tamper-Resistant Illuminated Request-to-Exit Buttons

- Heavy-duty extruded aluminum 1/4" (6.4mm) plate with beveled edges
- Momentary, maintained or time-delay switch available
- 970N (narrow) compatible with 1-3/4" (44.5mm) door frame profiles
- Blue illuminated "Exit" cap with black trim (specify 12V or 24V) Yellow, Green and Red lenses optional
- Two #6-32 stainless steel tamper-proof screws and driver included
- Brushed Anodized Aluminum or Brushed Anodized Dark Bronze finish
- Available in French or Spanish
- Optional audible alert add-on

980 Economy Pushbutton

- For commercial applications where non-illuminated request-to-exit button is required
- Stainless steel (20-gauge) faceplate fits standard single-gang electrical boxes
- White cap with black trim
- Mounting hardware included
- Momentary, maintained or time-delay switch available

Tamper-Resistant Pushbuttons

RCI's sleek-looking, beveled-edge 970 request-to-exit buttons are designed to discourage tampering. A special driver and tamperproof screws are included to prevent unauthorized faceplate removal.

The 970 also offers an audible alert option, continuous or intermittent (field selectable,) mounted on the faceplate. The cover plate and switch mounting design can be used with most standard and mortise electrical utility boxes. (See Options below)

980 request to exit switches are economical, non-illuminated buttons (white with black trim) set in a stainless steel faceplate. They are available in momentary or maintained action with SPDT contacts.

Highlights

- Durable construction
- Momentary or maintained action (also time-delay action on 970)
- Ideal for vandal-prone areas (Model 970)
- 2-year limited warranty (bulbs and LED not included)

Applications

- Vestibules
- Storefront
- Health Care

970

- Commercial and Industrial
- Vandal-Prone Areas

980

- Commercial

Options

970/970N*

AUD	Audible alert (95db@2KHz)
DMA	4-SPST switch (maintained action)
DMO	4-SPST switch (momentary action)
MA	2-SPST Switch (maintained action)
MO	2-SPST Switch (momentary action)
97R/Y/G/W	Pushbutton cap color – specify
R (red); G (green); Y (yellow); W (white)	

9SURBOX	Surface mount box
	4-3/4"H x 3"W x 2-1/2"D
	(120.7H x 76.2W x 63.5D mm)
	Standard finish: Laurentian Cream

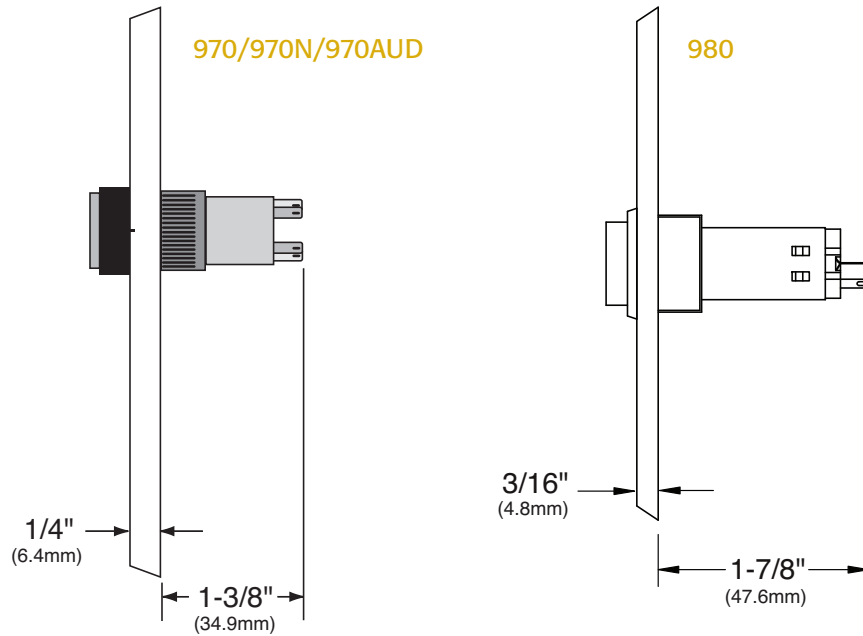


In or Out...we make it Easy!®

Description	Switch Mode	Switch Configuration	Switch Rating	Standard Finish
970-MO Exit Button	Momentary Action	1 x SPST N/O & 1 SPST N/C	5A @250VAC -CSA/	28 or 40 Blue Cap
970-MA Exit Button	Maintained Action	1 x SPST N/O & 1 SPST N/C	5A @250VAC -CSA/	28 or 40 Blue Cap
970-TD Exit Button	Adj. Delay* (1 sec - 34 hrs)	DPDT N/O & N/C	5A @250VAC -CSA/	28 or 40 Blue Cap
980-MO Pushbutton	Momentary Action	1 SPDT	5A @125VAC -CSA/	32D
980-MA Pushbutton	Maintained Action	1 SPDT	5A @125VAC -CSA/	32D
980-TD Pushbutton	Adj. Delay* (1 sec - 34 hrs)	DPDT N/O & N/C	5A @125VAC -CSA/	32D

NOTE: Specifications are subject to change without notice. N/C – Normally Closed; N/O – Normally Open
*mounted separately

Side Profiles



RCI also offers a complete line of Electromagnetic Locks, Electric Locks, Electric Strikes, Power Supplies, Keypads & Readers, Exit Devices, Systems