

7800

Electric Strike for Rim Exit Devices with Starwheel/ Interlocking Type Latchbolts

7800 Electric Strike is designed for use with Adams Rite rim exit devices with a Starwheel/Interlocking latchbolt (8700, 8800 Series, EX88). For use in aluminum, hollow metal or wood applications.

Function

This non-handed, low-profile, surface mounted electric strike features an ultra-compact design and adjustable stainless steel keepers with over 1,500 lbs [680.4 kg] of holding force in fail secure mode. Internally mounted dual solenoid operates on 12 or 24 VDC power. Provides electrical remote control, allowing door to open without actuation of the exit device.

Certifications

ANSI/BHMA A156.31, Grade 1

UL 294 listed

UL 1034 burglary-resistant listed
and suitable for outdoor use

RoHS compliant



Aluminium



Hollow
Metal



Wood



1
Grade 1



Outdoor
Rated



Burglary
Listed

Features

Strike Dimensions

1-13/4" x 9" x 9/16" deep
[44.5 mm x 229 mm x 14.2 mm deep]

Strike Opening

Bolt retaining keeper
is stainless steel.

1" x 1-1/2" x 1/2" deep [24.4 mm
x 38.1 mm x 12.7 mm deep].

Strike only accepts Starwheel/
Interlocking latching mechanism.

Faceplate

Not separate

1-3/4" x 9-1/64" x 9/16"
[44.5 mm x 229 mm x 14.2 mm deep]

Compatibility

Accommodates Starwheel/
Interlocking latching mechanism
of Adams Rite 8700, 8800, EX88
Series Rim Exit Devices.

Standard Package

Individually boxed with 1/16" and
1/8" spacer plates, mounting screws
and installation instructions.

- Spacer Plates included to accommodate varying door gaps.
- Screws for wood applications not provided

Shipping

Weight approximately 2 lbs [0.91 kg].

Electrical

Voltage

Field selectable, dual
voltage, 12 or 24 VDC.

Current Draw

0.45A at 12 VDC

0.25A at 24 VDC

Fail Safe | Fail Secure

Field selectable fail safe/fail secure

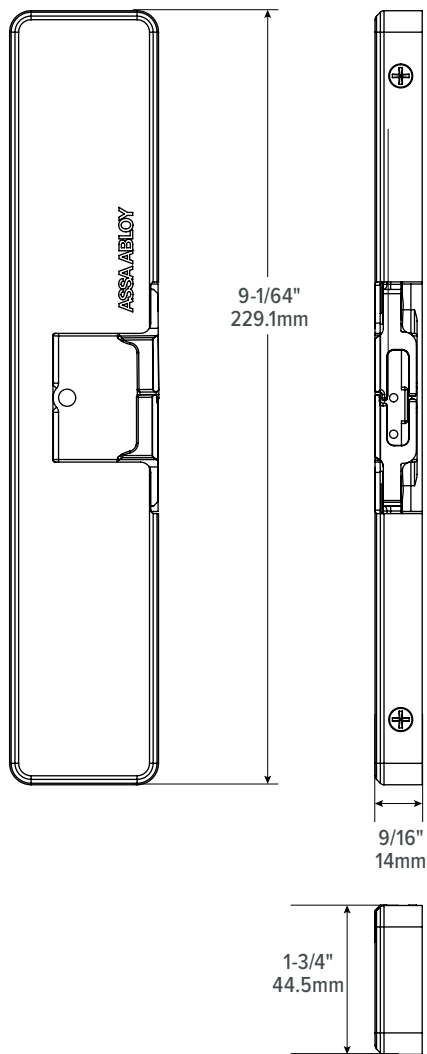
Options & Accessories

- Ships standard with one 1/16" and 1/8" spacer plate. Units ordered in 613E, 628E, 630, & BSP finishes will be made of stainless steel to match. All other finishes will receive black stainless steel spacers. Additional spacer plates can be ordered separately.
- Available with two monitoring options:
 - Form 'C' monitoring switches to indicate when the latchbolt is engaged in the strike jaws and a locked/unlocked solenoid status (M).
 - Latchbolt monitor (L)
- ELX-ElectroLynx® Adapter: Connects Adams Rite electrified products to ElectroLynx system

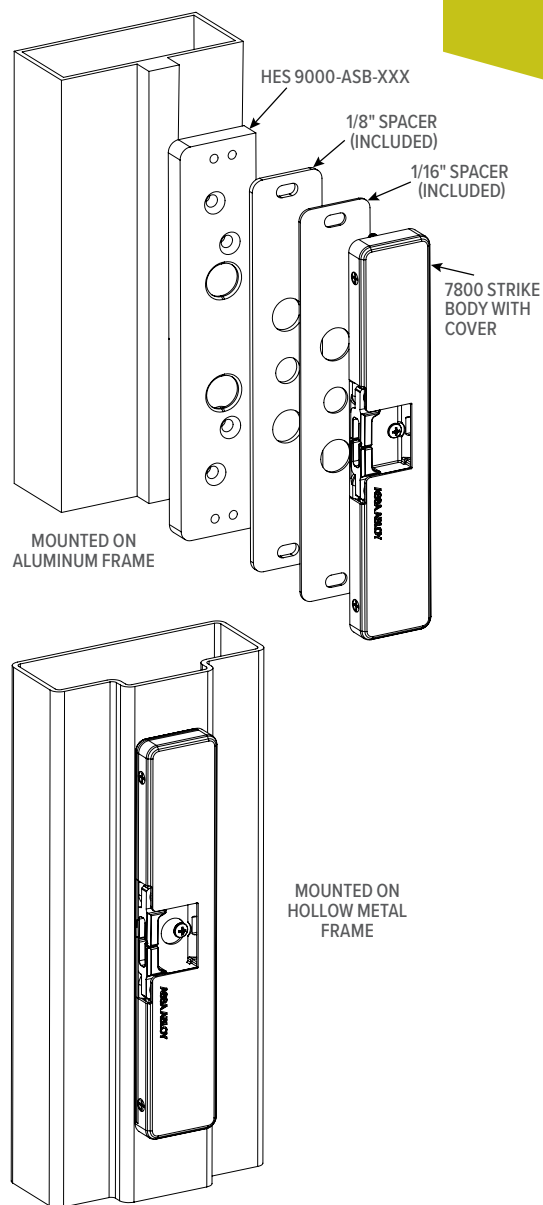
Product Note

Also available as HES 9800
Electric Strike

Dimensions



Installation



How to Order & Related Products

7800 Electric Strike Specify quantity and the following information. Order related products separately.

MODEL	FEATURES*	FINISH	
7800	M	630	
	- None	605 Bright Brass	629 Bright Stainless
	L Latchbolt Monitor	606 Satin Brass	630 Satin Stainless
	M Monitored	613E Dark Oxidized Satin Broinze Powder	BSP Black Suede Powder
		628E Satin Aluminum Clear Anodized	

*Fail-secure can be field converted to fail-safe or vice-versa.

RELATED PRODUCTS

When purchasing this product, please consider the following related products, available separately:

OPTIONS & ACCESSORIES	EXIT DEVICES	POWER
7800-116-XXX 1/16" spacer plate, 7800-108-XXX 1/8" spacer plate, HES 9000-MTK Metal Template Kit*, HES 9000-ASB-XXX Aluminum Spacer Bracket*	8700, 8800 Series Rim Exit Devices EX88 Interlocking Rim Exit Device	4603 Rectifier, 4605/4606 Transformer, Piezo Horn audible indicator, PS-1, ElectroLynx connector, HES 2005M3 SMART Pac III*

*Available from ASSA ABLOY Electronic Security Hardware