

4 Series
Centerline Latch Entry



In or Out...we make it Easy![®]



Features & Benefits

- Accommodates 3/4" latch projection (pullman design not included)
- Enlarged latch cavity width allows compatibility with cylindrical, narrowline aluminum and centerline mortise locks (including 3-piece anti-friction type) and mortise exit devices
- Unique anti-vibration design prevents manipulation by vibration
- 1-1/2" cut-out depth accommodates most aluminum and wood frame profiles
- Use with wide range of door thicknesses (1-3/8" to 2-3/8")
- AC/DC input acceptable for fail locked models. Fail unlocked mode requires DC
- Non-Handed
- Standard mounting tabs, fasteners, and trim plate included

Applications

- Commercial Centers
- Industrial Buildings
- Educational Facilities
- Retail Outlets
- Health Care Facilities
- Office Complexes

4 Series

RCI's 4 Series electric strikes have earned their reputation as durable, reliable and economical means of controlling access.

Unique anti-vibration design prevents manipulation by vibration.

Crossed wires are never a problem, as the coil is non polarity-conscious.

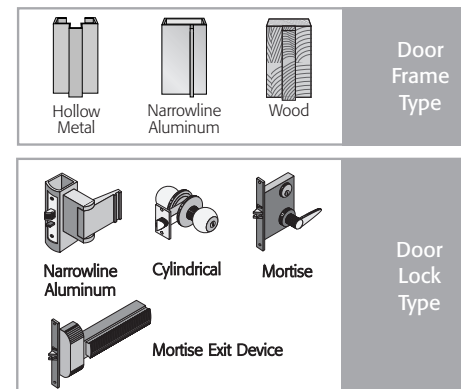
Accessories

- BXES2**Weldable box for 4104/4304 and 4114/4314
- 4/7JIG**4 series ANSI-sized jig
- LEK**Lip extension kit for retrofit (specify 1", 2" or 3")
- MSK10**1/16" mounting spacer for added latch depth (up to 13/16")
- MSK11**1/8" mounting spacer for added latch depth (up to 7/8")
- SMT-01**Strike Marking Template Kit
- 930-LG**Standard Profile Latch Guard
- 47HK9**Standard Strike mounting hardware kit
- TP47-5PK** . . .4/7 Series Trim Plate - 5 pk (Not Available for 4119, 4319, and F4 Models)

Highlights

- UL 1034 burglary-resistant Listed
- UL Listed for 1000 lbs of static strength*
- Non-handed
- Modular design
- Stainless steel faceplate (standard finish 32D)
- 3-year limited warranty

* Tested on 04, and 14 faceplates only



Options

3, 4, 10, 10B, 32 Special Finishes

Specifications

4114, 4104, 4105

4314, 4304, 4305



In or Out...we make it Easy!®



4114/4314

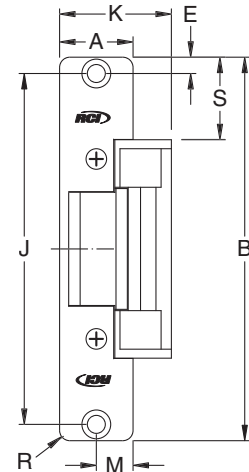
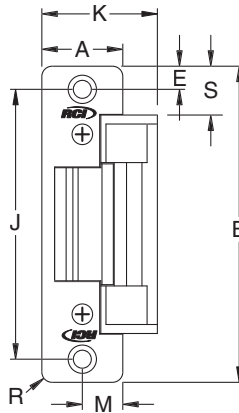
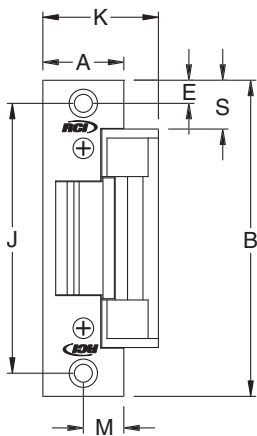
1-1/4"W x 4-7/8"H ANSI
(31.75 x 123.83mm)
Hollow Metal

4104/4304

1-1/4"W x 4-7/8"H ANSI
(31.75 x 123.83mm)
Aluminum

4105/4305

1-1/8"W x 5-7/8"H ANSI
(28.58 x 149.23mm)
Aluminum or Wood



PROFILE MEASUREMENT	41/4314 INCHES	41/4314 DECIMAL	41/4314 METRIC (mm)	41/4304 INCHES	41/4304 DECIMAL	41/4304 METRIC (mm)	41/4305 INCHES	41/4305 DECIMAL	41/4305 METRIC (mm)
A	1-1/4	1.25	31.75	1-1/4	1.25	31.75	1-1/8	1.125	28.58
B	4-7/8	4.875	123.83	4-7/8	4.875	123.83	5-7/8	5.875	149.23
E	3/8	0.375	9.53	3/8	0.375	9.53	1/4	0.250	6.35
J	4-1/8	4.125	104.78	4-1/8	4.125	104.78	5-3/8	5.375	136.53
K	1-3/4	1.750	44.45	1-3/4	1.750	44.45	1-11/16	1.688	42.86
M	5/8	0.625	15.88	5/8	0.625	15.88	9/16	0.563	14.29
R	—	—	—	5/32	0.156	3.97	5/32	0.156	3.97
S	3/4	0.75	19.05	3/4	0.75	19.05	1-1/4	1.25	31.75

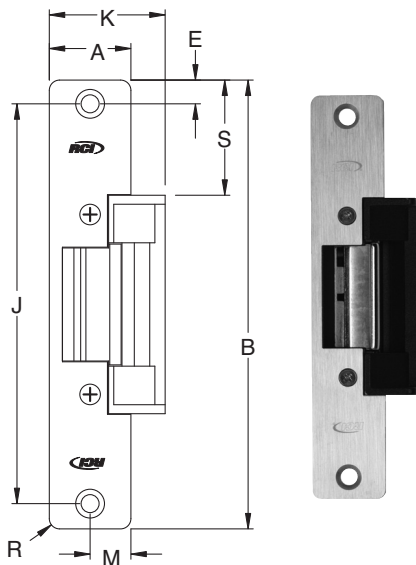
Specifications

4107, 4108, 4119

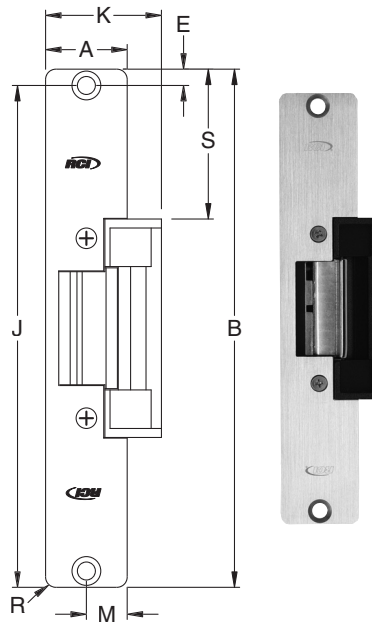
4307, 4308, 4319



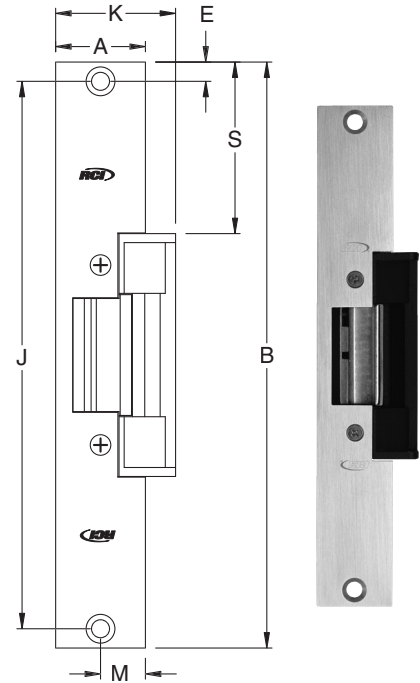
In or Out...we make it Easy!®



4107/4307
1-1/4"W x 6-7/8"H ANSI
(31.75 x 174.63mm)
Aluminum



4108/4308
1-7/16"W x 7-15/16"H ANSI
(36.51 x 201.61mm)
Aluminum or Wood



4119/4319
1-3/8"W x 9"H ANSI
(34.93 x 228.60mm)
Hollow Metal or Wood

PROFILE MEASUREMENT	41/4307 INCHES	41/4307 DECIMAL	41/4307 METRIC (mm)	41/4308 INCHES	41/4308 DECIMAL	41/4308 METRIC (mm)	41/4319 INCHES	41/4319 DECIMAL	41/4319 METRIC (mm)
A	1-1/4	1.25	31.75	1-7/16	1.438	36.51	1-3/8	1.375	34.93
B	6-7/8	6.875	174.63	7-15/16	7.938	201.61	9	9.00	228.60
E	3/8	0.375	9.53	1/4	0.250	6.350	5/16	0.312	7.94
J	6-1/8"	6.125	155.58	7-7/16	7.438	188.91	8-3/8	8.375	212.73
K	1-3/4	1.750	44.45	1-3/4	1.750	44.45	1-53/64	1.828	46.43
M	5/8	0.625	15.88	23/32	0.719	18.26	11/16	0.688	17.46
R	5/32	0.156	3.97	5/32	0.156	3.97	-	-	-
S	1-3/4	1.75	44.45	2-9/32	2.281	57.94	2-5/8	2.625	66.68

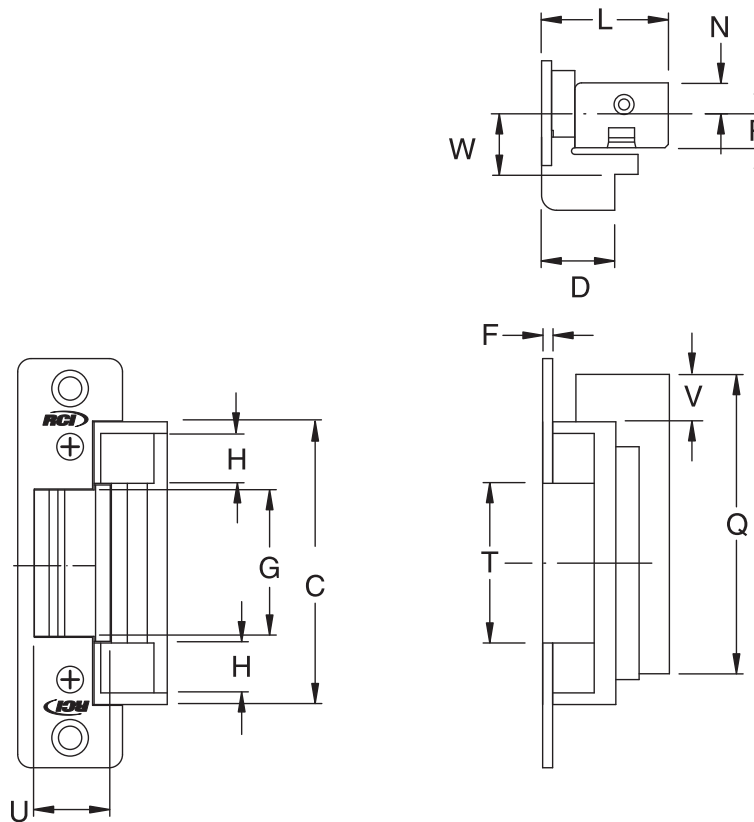


In or Out...we make it Easy!®

Model (s)	Mode	Voltage	Current	Duty	Sound	Amps [*]	Ohms [†]
41XX-01	Fail Locked	11-16V	AC	Intermittent	Buzz	0.50 / 0.70	16
41XX-05	Fail Locked	12V	AC	Intermittent	Buzz	0.15	61
	Fail Locked	12V	DC	Continuous	Silent	0.20	61
41XX-08	Fail Locked	24V	AC	Intermittent	Buzz	0.07	215
	Fail Locked	24V	DC	Continuous	Silent	0.11	215
43XX-06	Fail Unlocked	12V	DC	Continuous	Silent	0.20	61
43XX-09	Fail Unlocked	24V	DC	Continuous	Silent	0.11	215

*Ratings are based on maximum current draw at +10°C and include initial power-up current draw. †Nominal resistance at +25°C ± 7% tolerance.
NOTE: XX = Faceplate Code. Intermittent Duty = Energized less than 1 min. Continuous Duty = Energized 1 min. or more. Duty Ratio 1:5. Dimensions shown below with 04 faceplate.

Profiles													
MEASUREMENT	C	D	F	G	H	L	N	P	Q	T	U	V	W
FRACTIONAL INCHES	3-3/8	7/8	1/8	1-3/4	9/16	1-1/2	13/32	13/32	3-5/8	1-7/8	15/16	17/32	3/4
DECIMAL INCHES	3.375	0.875	0.125	1.750	0.563	1.500	0.406	0.406	3.625	1.875	0.938	0.531	0.750
METRIC mm	85.73	22.23	3.18	44.45	14.29	38.10	10.32	10.32	92.08	47.63	23.81	13.49	19.05



RCI also offers a complete line of Electromagnetic Locks, Electric Locks, Switches, Power Supplies, Keypads & Readers, Exit Devices, Systems & Door Hardware