



## 3 Series Electronic Locking Rack Handle

*In or Out... we make it Easy!®*



**Lock engaged  
Handle closed**



Secure Cabinet

**Lock retracted  
Handle closed**



Electronically  
unlock

**Lock retracted  
Handle released**



Manually operate  
handle

**Lock engaged  
Handle released**



DIN lock manual  
override

## Electronic Locking Rack Handle

The electronic locking rack handle provides the functionality of a manual latching system with the added benefit of electronic locking for access control and remote monitoring.

It can be combined with any access control device for a basic self contained electronic access solution.

Alternatively, the electronic rack handle can provide access control to networked rack control and monitoring systems for addressable remote access control over the internet.

Integrated lock sensors provide local LED indication plus generate output signals for remote access monitoring.

## Features


- Remote lock and unlock control
- Single or multi-point locking
- Low power, gear motor driven mechanism
- Momentary or continuous lock actuation
- High Security DIN lock for mechanical key override
- Fits industry standard panel preparations
- Accommodates both left and right hand doors
- 78.7" (2000mm) Wire Harness and Hardware Kit included
- Product ships with 3 keys (keyed alike)
- 1 Year Warranty


## Highlights

- Integrated sensors detect lock and handle status for monitoring and alarm functions
- Low energy consumption (Less than 200mA at 12VDC)
- Activated via any 3rd Party Control System (Access Control, PDU, SCADA)

## Optional Accessories

**NOT REQUIRED FOR MOST RETROFIT APPLICATIONS**

	<b>Gear Box</b> (for multi-point system)	
	3525-MPLH	Left Hand
	3525-MPRH	Right Hand

	<b>CAMS</b>	
	<b>Grip</b> Measurement	<b>Cam length</b>
1-1/2" (38mm)	3525-GR3815	-
0.61" (15.5mm)	3525-GR3817	-
0.69" (17.5mm)	3525-GR3819	3525-GR4522
0.77" (19.5mm)	3525-GR3821	3525-GR4524
0.85" (21.5mm)	3525-GR3823	3525-GR4526
0.93" (23.5mm)		

(Consult RCI if required)

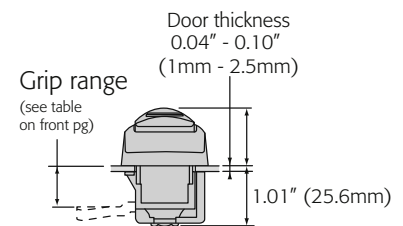
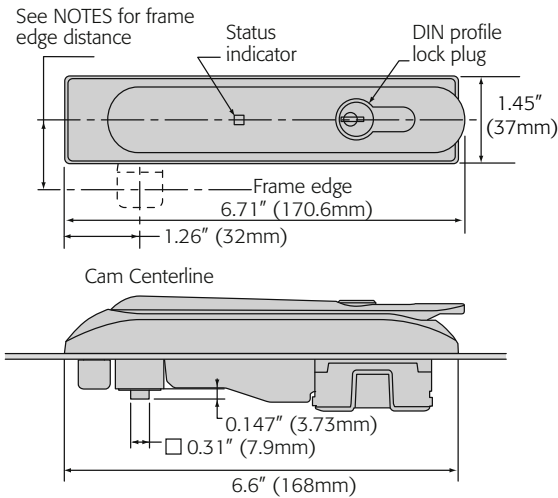


*In or Out... we make it Easy!®*

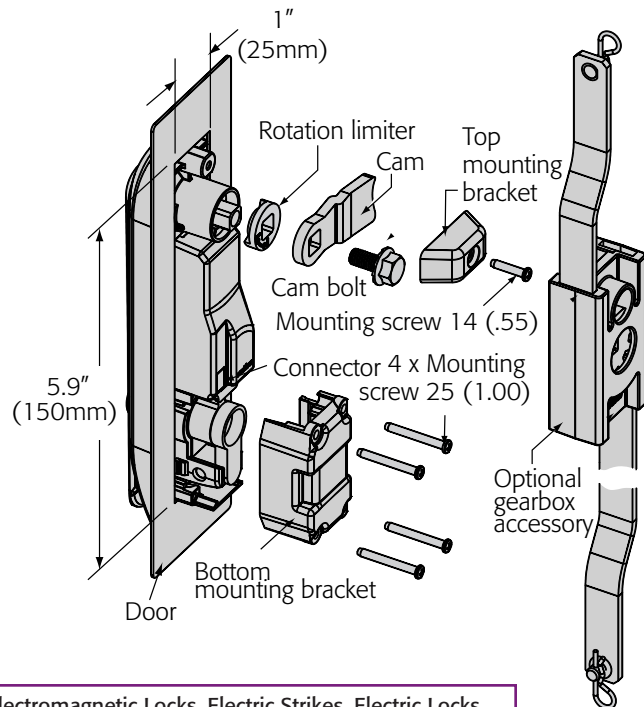
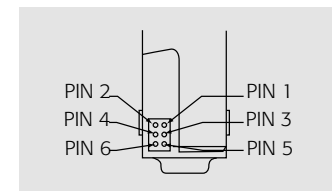
Specifications
<b>Material &amp; Finish</b>
Housing, handle, mounting bracket: Glass-filled nylon, black Shaft, rotation limiter: Die-cast zinc, bright sealer
<b>Electrical Specifications</b>
Recommended operating voltage: 12VDC to 24VDC Typical operating current: Less than 200mA at 12 VDC Peak / stall operating current: 1 Amp Standby current: 50mA Max. Output signal rating: 200mA Max. load
<b>Connector Pin Assignment</b>
PIN 1: Ground (-) PIN 2: Power (+) PIN 3: Not Used PIN 4: Control signal PIN 5: Electronic Lock status output PIN 6: Mechanical lock status output
<b>Mating Connector Detail</b>
Crimp socket Crimping contact for socket 24 AWG wire minimum recommended
<b>NOTES</b>
For grip ranges .61"-.73" (15.5-18.5mm) Max. cam length of 1.5" (38mm). Frame edge distance of 1.18" (30mm)
For grip ranges greater than .73" (18.5mm) Max. cam length of 1.77" (45mm) Frame edge distance of 1.46" (37mm)
For multipoint systems, select right or left hand gear box part number from table.
Product ships with 3 keys (keyed alike)

**Overall Dimensions:**

6.69"H x 1.45"W x 1.98" D  
(170mm x 37mm x 50.25mm)



**Connector Detail**



RCI also offers a complete line of Electromagnetic Locks, Electric Strikes, Electric Locks Power Supplies, Switches, Keypads & Readers, Exit Devices, Systems & Door Hardware.