



*In or Out...we make it Easy!®*



### **3513**

1-1/8"D x 1-3/16"W x 2-7/8"L  
(28.7mm x 30.1mm x 72.7mm)



### **3513DM Dual Monitoring**

1-1/4"D x 1-3/16"W x 3-11/16"L  
(32.0mm x 30.1mm x 94.0mm)



## Features & Benefits

- Surface-mounted compact electric lock
- Field selectable fail locked or fail unlocked assembly
- Field selectable dual voltage 12/24VDC operation
- Stainless steel locking pin assembly
- 440 lbs. or 200 kg. holding force
- Low energy consumption (200mA @ 12VDC, 100mA @ 24VDC)
- Superior heavy duty metal construction
- The 3513DM version provides dual monitoring for enhanced security
- SPDT switches provide monitoring of the catch and locking pin positions, which together confirm lock status
- Black finish
- Includes hardware kit

## Cabinet Lock

Constructed with superior heavy duty metal, this compact electric lock is an ideal choice for securing any cabinet or drawer.

The 3513DM is easy to install with self-adjusting alignment tabs together with, side or top mounting capabilities. Four countersunk mounting holes also ensure that the lock is securely mounted. Lock mode is determined by the positioning of the lock solenoid.

The 3513DM Dual Monitoring version is ideal when monitoring of the catch and locking pin are required.

## Highlights

- Lock mode is field selectable
- Versatile side or top mounting
- Elongated holes on catch for adjustable mounting
- Dual monitoring of the catch and locking pin (3513DM only)
- 3-year limited warranty

## Applications

### INTERIOR

- Filing Cabinets
- Drug Cabinets
- Jewelry Cases
- Showcases
- Key Cabinets
- Desk Drawers
- Cash Drawers
- Machine Access
- Vending Machines Covers

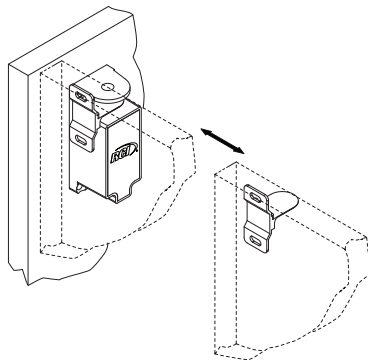


*In or Out...we make it Easy!*<sup>®</sup>

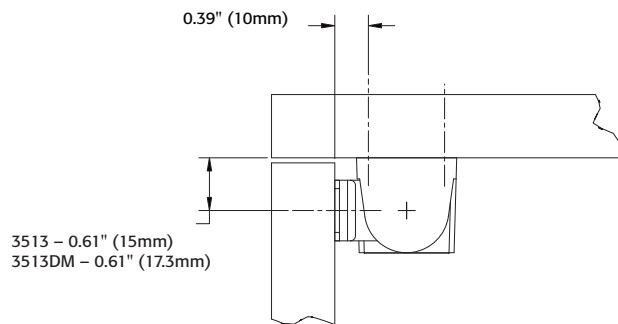
Description of Features	
Lock Housing	3513 – 1-1/8"D x 1-3/16"W x 2-7/8"L (28.7mm x 30.1mm x 72.7mm) 3513DM – 1-1/4"D x 1-3/16"W x 3-11/16"L (32.0mm x 30.1mm x 94.0mm)
Locking Pin Assembly	3/16" (4.5mm)
Operating Voltage	12VDC continuous; 24VDC continuous
Mode of Operation	Fail Unlocked or Fail Locked
Cycle Rating	500,000 cycles
Current Consumption	200mA @ 12VDC 100mA @ 24VDC
Holding Force	440 lbs. or 200 kg.
Operating Temperature	14° to 104°F (-10° to 40°C)
Power Requirements	The compact locking unit can be operated with RCI's 10 Series regulated power supplies or 12VDC plug in transformer

**NOTE:** Monitor switches are rated at 0.5amps@12 or 24VDC

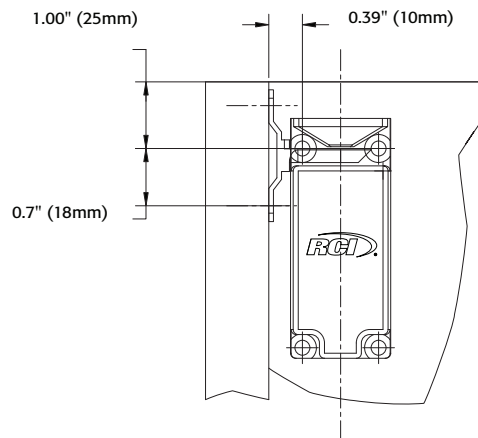
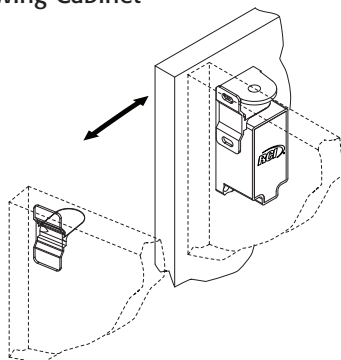
### Slide Cabinet



### Installation Dimensions



### Swing Cabinet



RCI also offers a complete line of Electromagnetic Locks, Electric Strikes, Power Supplies, Switches, Keypads & Readers, Exit Devices, Systems & Door Hardware.