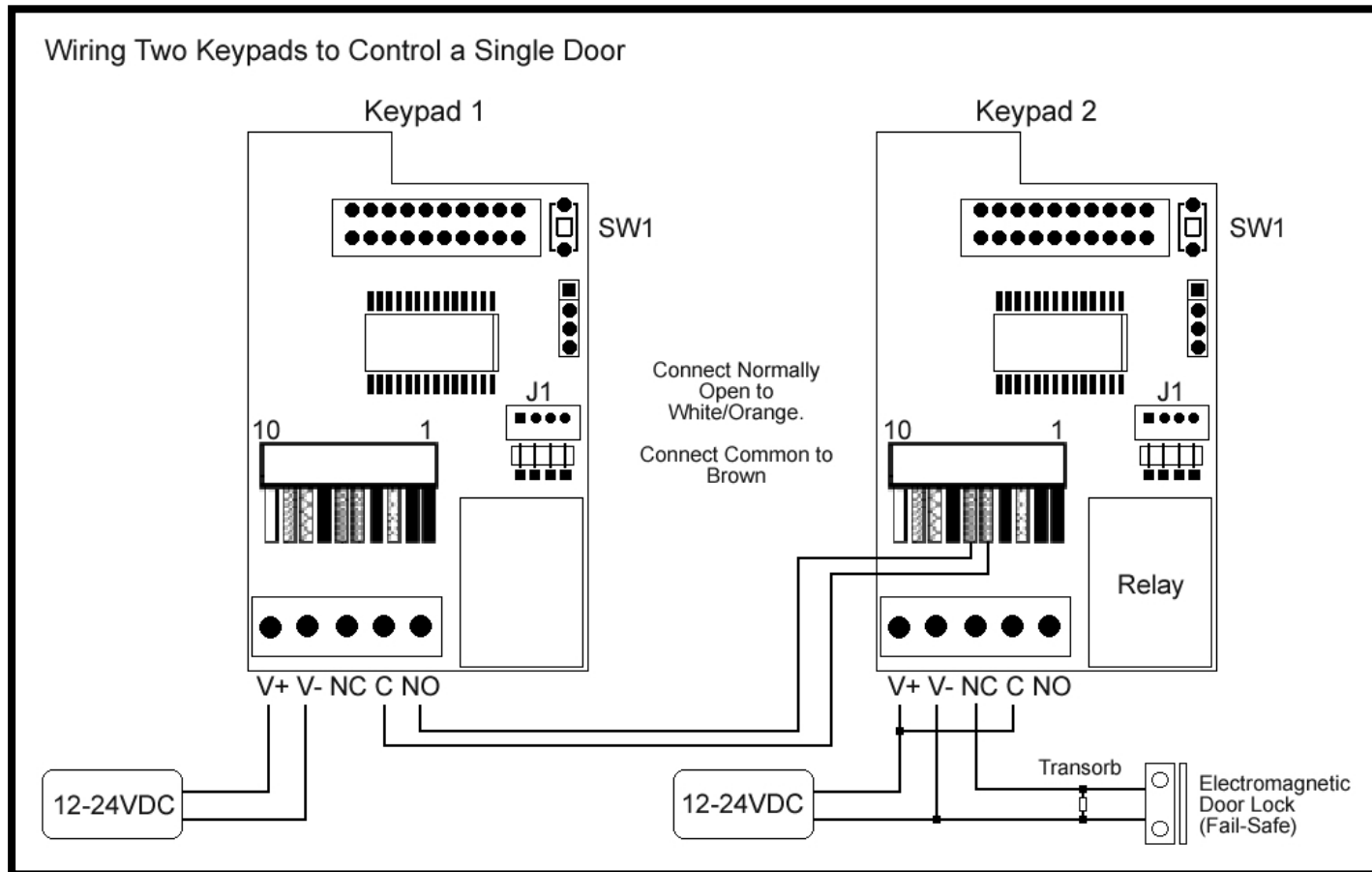


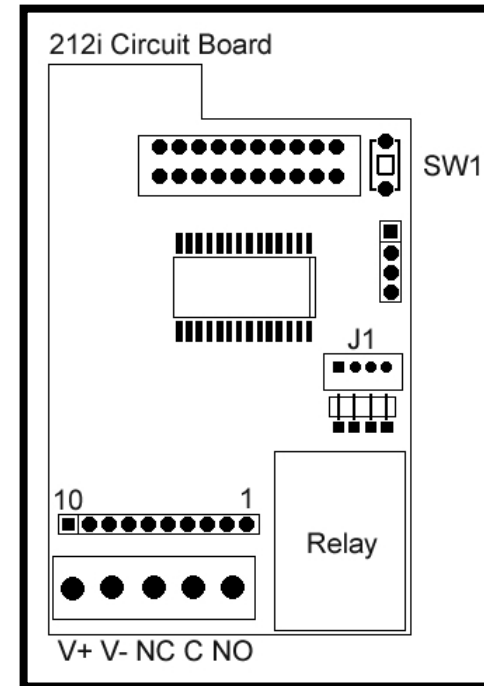
212i Wiring Diagrams and Specifications



The diagram above shows how to connect two keypads to control a single door. Entering your code on keypad 2 unlocks the maglock directly. When you enter your code on keypad 1, it triggers the REX input of keypad two, which unlocks the door

Please note that user codes must be programmed into both keypads

INTERNATIONAL ELECTRONICS, INC.
427 TURNPIKE STREET
CANTON, MA 02021 USA
800-343-9502, 781-821-5566,
781-821-4443 (FAX)
WEB ADDRESS: www.ieib.com



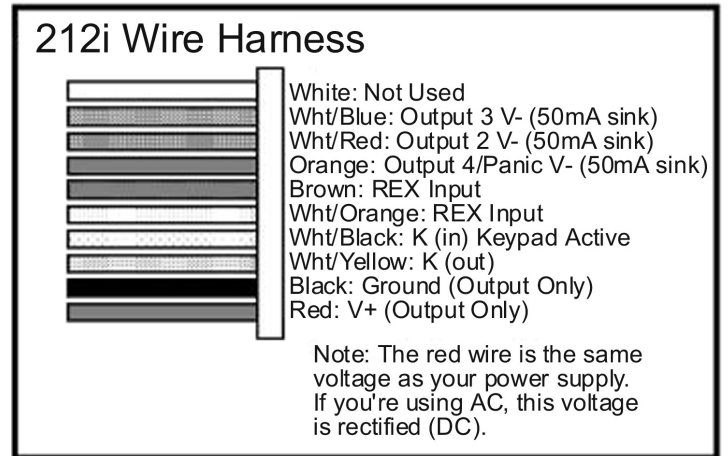
TECHNICAL NOTES

This product was re-designed using a new manufacturing technology, which changed the physical appearance of the keypad electronics. The LED's changed to surface mount chip LED's mounted on bottom of the circuit board which eliminates the need for the wire harnesses. It is also possible to control the red and green chip LED's externally, with an alarm panel for example, by using connector J1. See the diagram for details. Also, the voltage selection jumper on the main circuit board is no longer required.

To prevent electrical kick back voltage from damaging the keypad, when using an electrical locking device, you MUST install the transorb as close as possible to the lock. Wire the transorb in parallel with the lock power terminals.

Also, to avoid ESD (electro-static discharge) from interfering with the operation of the keypad, ground the negative terminal of the keypad to earth ground. If you cannot ground the power supply, then you must ground the keypad housing.

IEI recommends using a filtered and regulated power supply



SPECIFICATIONS:

MECHANICAL:
BOARD DIMENSIONS: 1.80"W x 2.845"H x 1.125"D

ELECTRICAL:
VOLTAGE: 12-24 Volts AC/DC (**No Jumper Required**)
CURRENT: 8mA@12VDC typical;
35mA with relay energized.
16mA@24VDC typical;
45mA with relay energized.
21mA@12VAC typical;
74mA with relay energized.
43mA@24VAC typical;
91mA with relay energized.

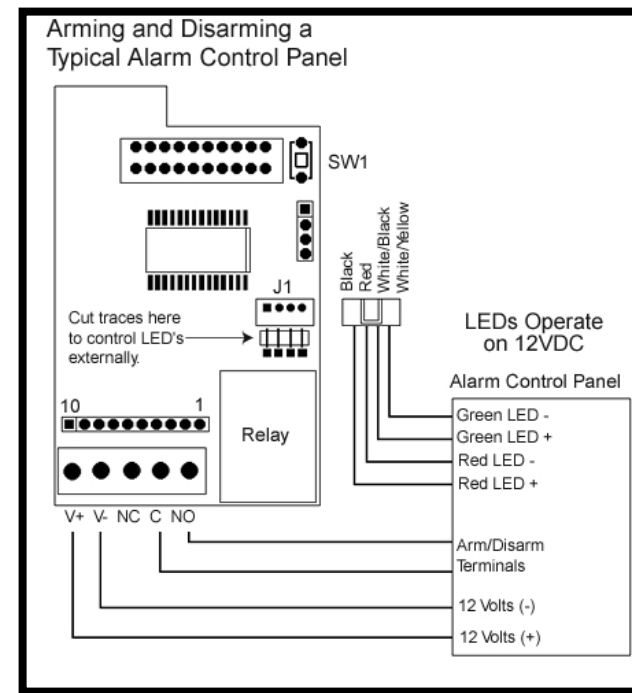
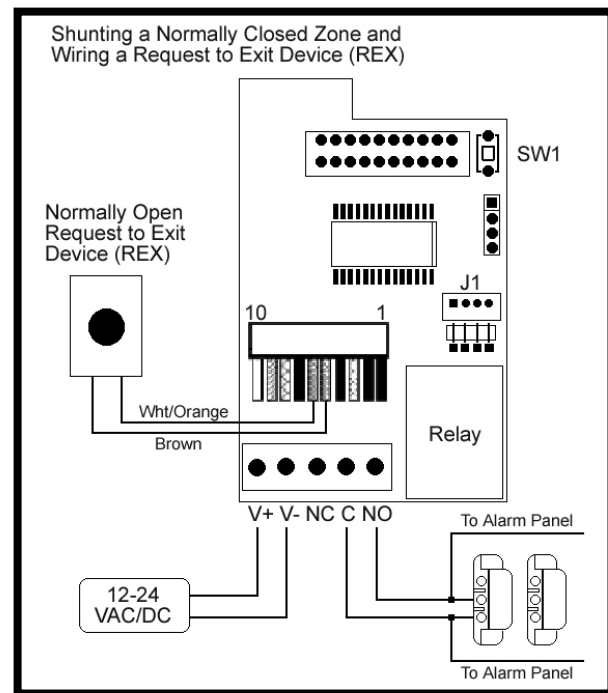
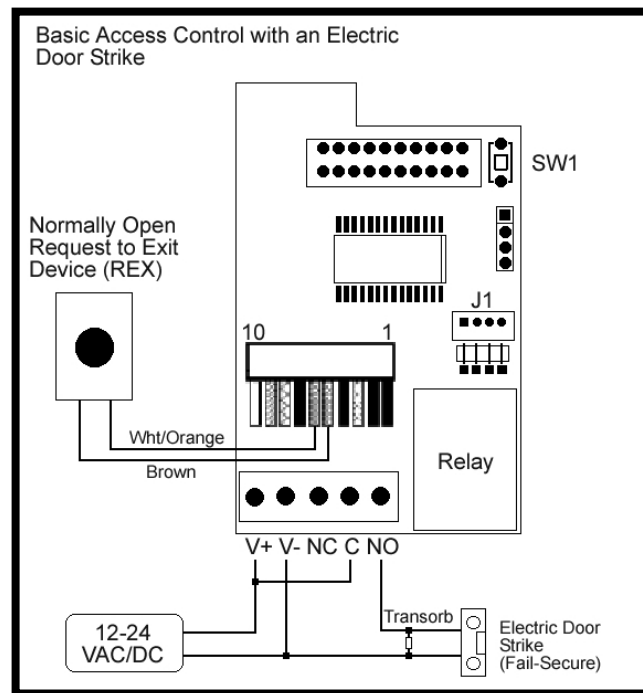
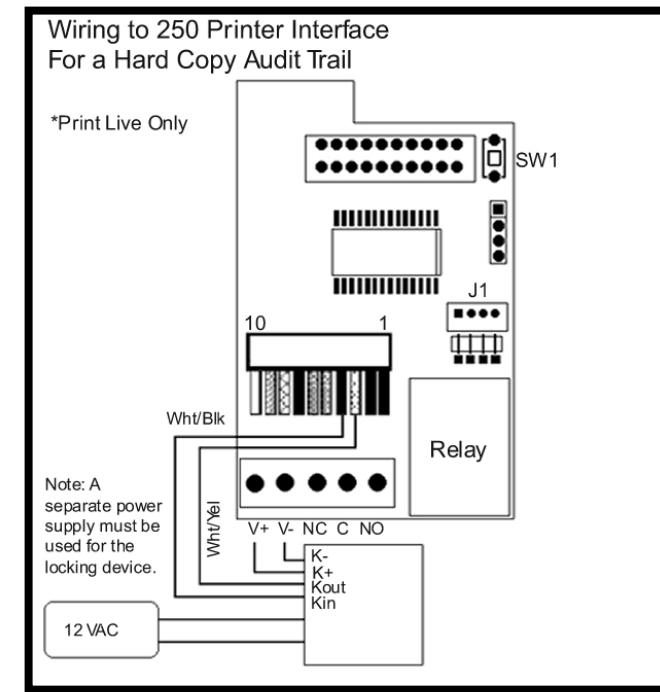
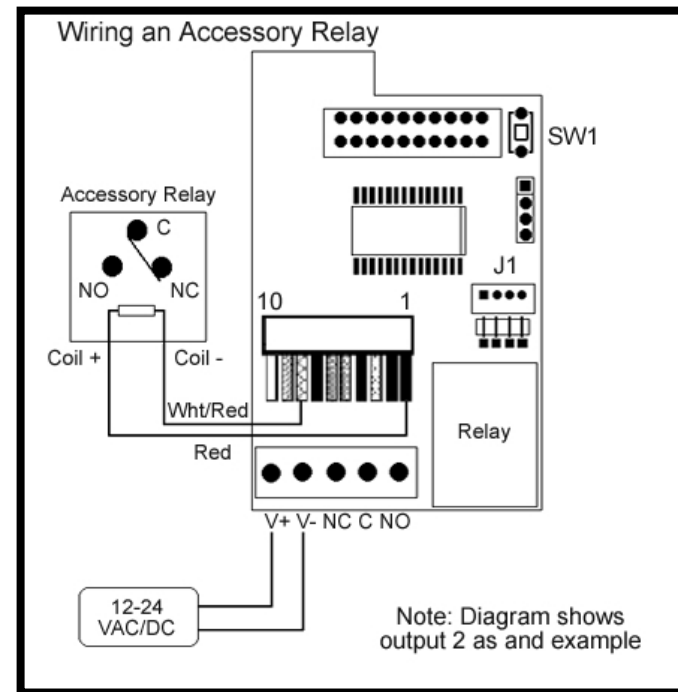
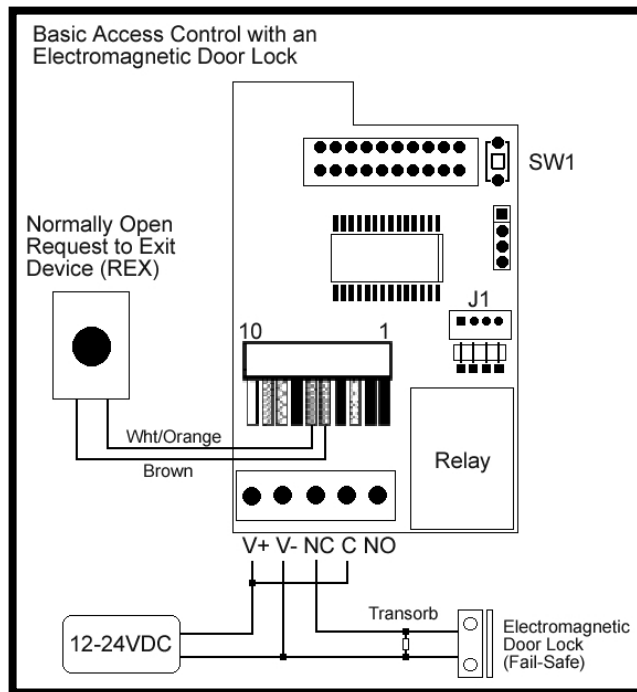
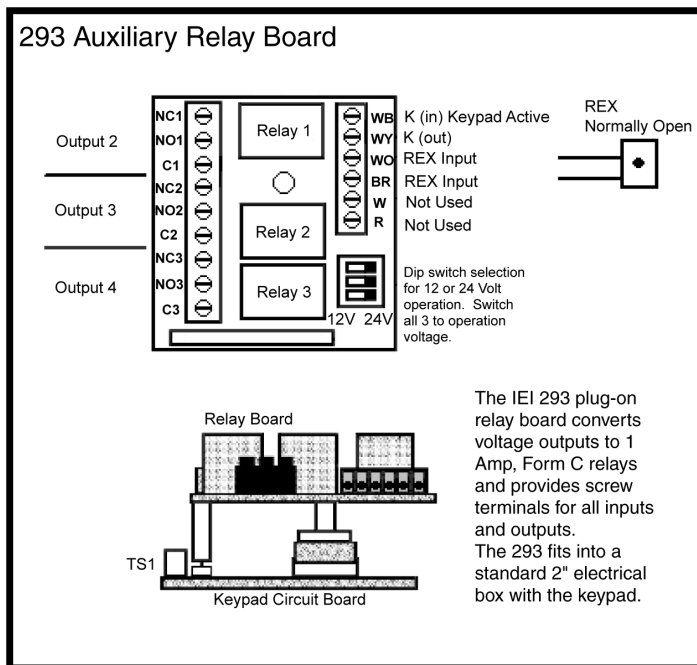
Note: Keypads using the 293 Relay Board, need an additional 30mA for each relay energized.

OUTPUTS: Main Relay: 5 Amp, Form C @ 24VDC with 10 Amp surge.
Outputs 2, 3, and 4 are 50mA negative voltage outputs

ENVIRONMENTAL:
TEMPERATURE: -20°F TO 130°F (-28°C TO 54°C)
Indoor Only

Packing Checklist

212i Keypad
10 Conductor Wire Harness (1)
4 Conductor Wire Harness (1)
Slotted screws (2)
Security Screws (2)
Transorb (1)
Features & Programming Guide
Warranty Guide



To control the LED's externally cut the four traces in the box underneath connector J1. Before connecting the alarm panel's LED control lines to J1 verify the traces are cut. To verify, measure continuity between the end of the wire on the wire harness and the square pad on the circuit board below the box corresponding to the wire you're measuring. **Permanent damage to the keypad may result if voltage is connected to J1 when the traces are not cut.**