

INSTALLATION MANUAL – Indoor/Outdoor Pendant Mount Kit

Unpacking

Unpack carefully. This is mechanical equipment and should be handled with care. If an item appears to have been damaged in shipment, replace it properly in its carton and notify the shipper. If any items are missing, notify the vendor. The shipping carton is the safest container in which the unit may be transported. Save it for possible future use.

Service

If the unit ever needs repair service, the customer should contact the vendor for a return materials authorization (RMA) and shipping instructions.

Care and Maintenance

Perform routine maintenance to keep the unit dust free.

Model Designation

2020-PDMA Indoor/Outdoor Pendant Mount Kit

Description

The 2020-PDMA is a pendant mount for the RLS-2020 Laser Scan Detector allowing the detector to be attached to the bottom of a pole. Mounting hardware is included. Pole and ceiling/wall bracket not included.

Certification

Scanner installation should be performed by a licensed professional and conform to the National Electrical Code (NEC) and any applicable local codes.

Installation

1. Hold ceiling flange up to installation location and use flange as a template to mark the hole locations.
2. Drill out appropriate central hole and fastener holes depending on cable size used and appropriate fasteners for installation surface. Each fastener should have a minimum 300-lbs pull-out strength.
3. Attach ceiling flange to ceiling. Run cables through flange leaving enough slack to route the cables through pole, pendant cap, adapter plates, and to the RLS-2020 unit.
4. Attach customer-supplied pipe with 1-in NPT threads on either side to ceiling flange, running cables through pipe.
5. Attach pendant cap to bottom of pole
6. Route cable through hole in upper plate and attach upper plate to pendant cap.
7. Attach lower plate to upper plate.
8. Make wiring connections to RLS-2020 per instructions included with the unit.
9. Attach RLS-2020 to lower plate according to instructions included with unit.

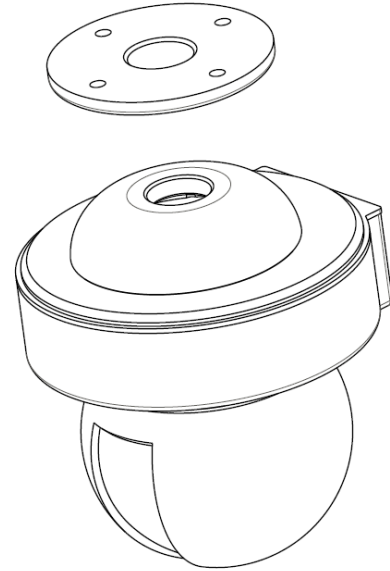


Figure 1 – 2020-PDMA with RLS-2020 attached

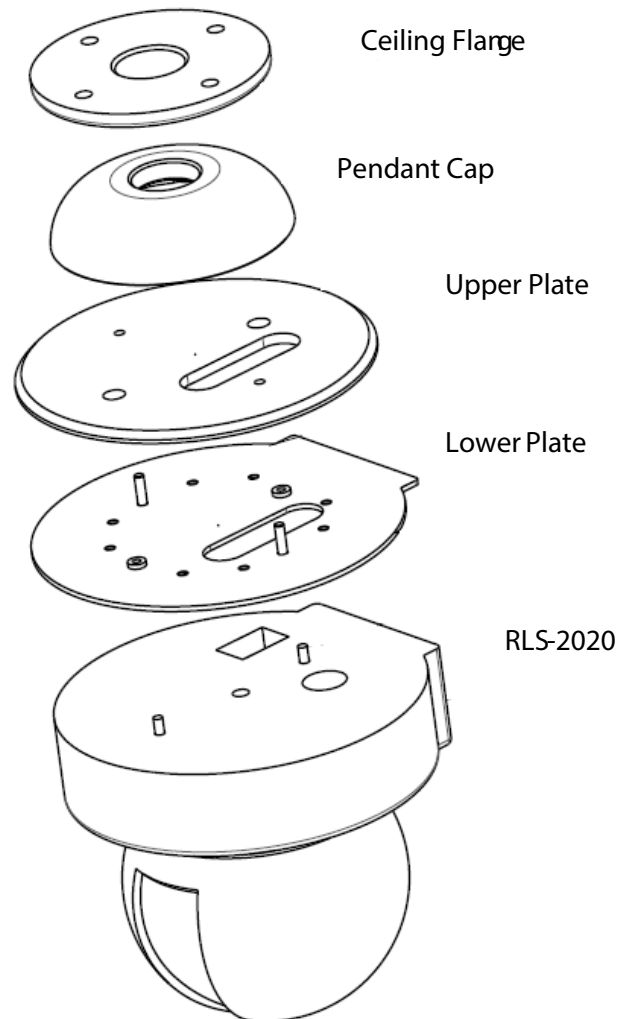


Figure 2 – 2020-PDMA Exploded View