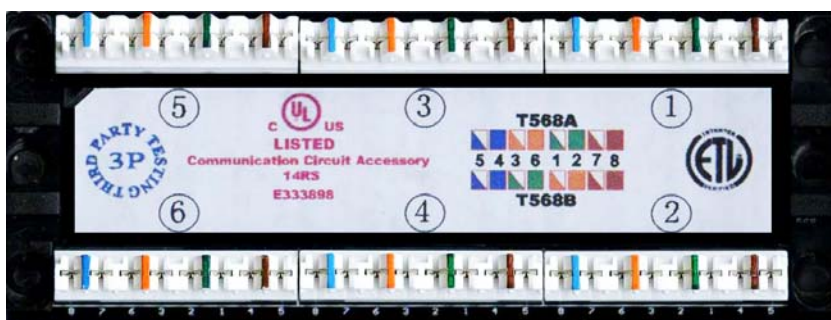
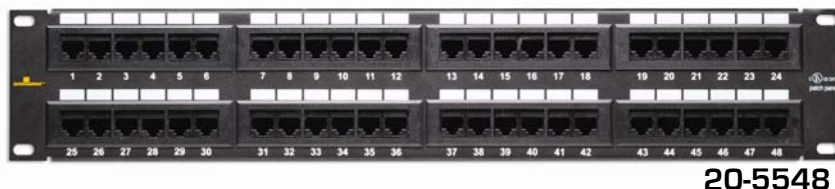


# Cat 5e Universal Patch Panels

## Cat 6 Universal Patch Panels

- Designed and color coded for T586A and T586B wiring configurations
- Meets all UL standards and requirements for Cat 5e & Cat 6 patch panels
- Intertek ETL Semko verified and tested to Cat 5e & Cat 6 industry standards & certifications
- 3P-Third Party Testing verified and tested to Cat 5e & Cat 6 industry standards & certifications
- Meets or exceeds all published TIA/EIA-568-B guidelines for Category 5e & Cat 6 requirements; meets FCC Part 68
- Designed to fit all standard 19" racks and cabinets
- Patch panels come pre-configured with easy to read 110-style punch downs on the rear side and six-port RJ-45 front modules
- 16 gauge steel, black painted panel with UL 94V-0 rated jack housing
- Connector spring wire contacts are 50 micro inches gold over nickel
- All panels are RoHS compliant



The 110 termination blocks are color coded for easy wiring identification.

Part #	Description
20-5512	Cat 5e Universal 12 Port Patch Panel
20-5524	Cat 5e Universal 24 Port Patch Panel
20-5548	Cat 5e Universal 48 Port Patch Panel
20-5612	Cat 6 Universal 12 Port Patch Panel
20-5624	Cat 6 Universal 24 Port Patch Panel
20-5648	Cat 6 Universal 48 Port Patch Panel

DataComm Electronics offers a lifetime product warranty on 20-55\*\* and 20-56\*\* series patch panels.



DataComm Electronics, Inc.  
6349 Peachtree Street  
Norcross, GA 30071-1725  
888.223.7977  
770.662.8205  
[www.datacommelectronics.com](http://www.datacommelectronics.com)

## 20-3425 Series Cat 5e & 20-3416 Series Cat 6 Jacks

DataComm Electronics new Cat 5e high performance jacks feature color-coded wiring labels for T568A and T568B. These jacks are UL listed and designed to meet all of your everyday installation requirements.

Use our “on the job” termination coaster 20-5500 (see below) to quickly punch down wire on the Cat 5e jack or use a rapid termination tool.

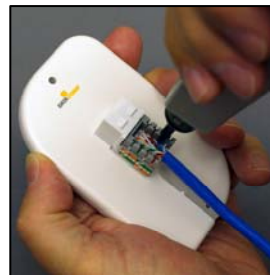


<u>Part #</u>	<u>Description</u>
20-3425-AL	Cat 5e Jack, Almond
20-3425-BK	Cat 5e Jack, Black
20-3425-BL	Cat 5e Jack, Blue
20-3425-BR	Cat 5e Jack, Brown
20-3425-GY	Cat 5e Jack, Gray
20-3425-IV	Cat 5e Jack, Ivory
20-3425-LA	Cat 5e Jack, Lite Almond
20-3425-OR	Cat 5e Jack, Orange
20-3425-RD	Cat 5e Jack, Red
20-3425-WH	Cat 5e Jack, White
20-3425-YW	Cat 5e Jack, Yellow <i>(not pictured)</i>

*Available in 10-Packs*

### Also Available - Cat 6 Jacks

<u>Part #</u>	<u>Description</u>
20-3416-AL	Cat 6 Jack, Almond
20-3416-BK	Cat 6 Jack, Black
20-3416-BL	Cat 6 Jack, Blue
20-3416-BR	Cat 6 Jack, Brown
20-3416-GY	Cat 6 Jack, Gray
20-3416-IV	Cat 6 Jack, Ivory
20-3416-LA	Cat 6 Jack, Lite Almond
20-3416-OR	Cat 6 Jack, Orange
20-3416-RD	Cat 6 Jack, Red
20-3416-WH	Cat 6 Jack, White



Use a rapid termination tool or our “on the job” termination coaster.

PART NO.	MATERIAL
COVER	ABS UL94V0
IDC	PLASTIC: PC PIN: PHOSPHOR BRONZE PLATED WITH GOLD
PIN	PHOSPHOR BRONZE PLATED WITH GOLD
PCB	UL 94V0
IDC CAP	PC



### **Full Lifetime Warranty**

When using DataComm Patch Panels & Cat5e/Cat6 jacks with most nationally recognized cable manufacturers.

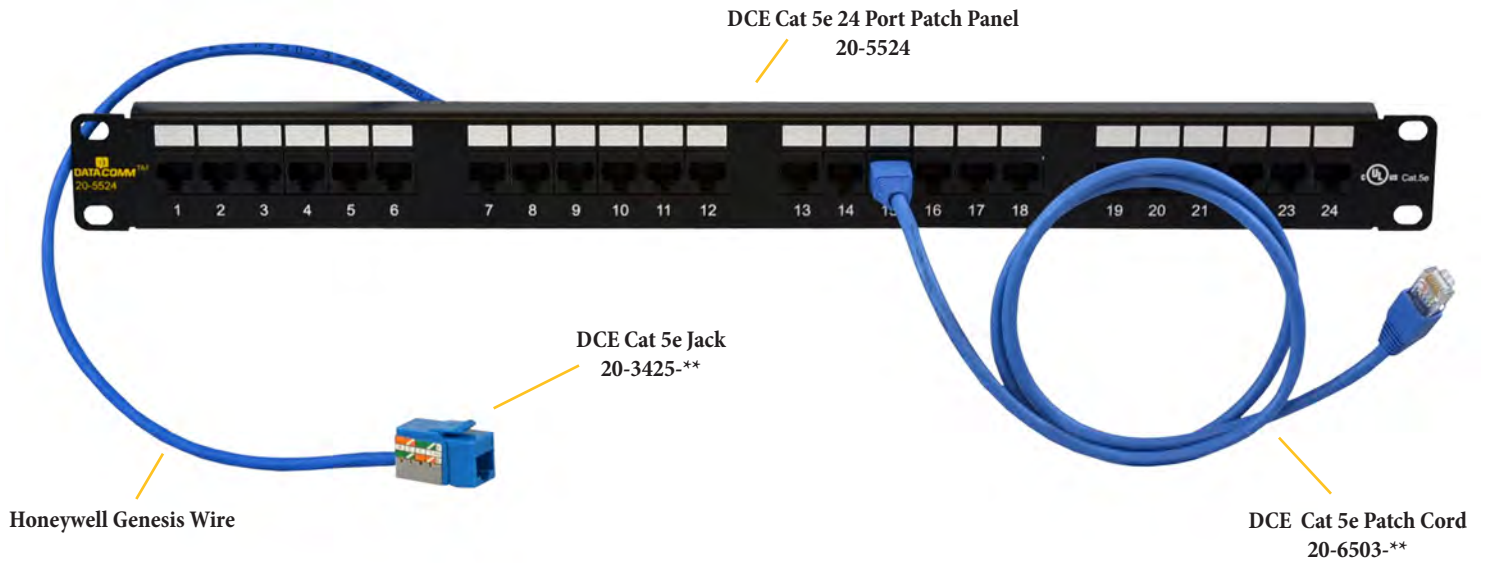
DataComm Electronics  
6349 Peachtree Street  
Norcross, GA 30071  
888.223.7977  
770.662.8205  
[www.datacommelectronics.com](http://www.datacommelectronics.com)

# 25-Year Channel System Warranty Program with Honeywell Genesis Cable



DataComm Electronics, Inc.  
888.223.7977 / 770.662.8205 / www.datacommelectronics.com

## DataComm Electronics Announces It's New 25-Year Channel System Warranty Program



DataComm Electronics, in conjunction with Honeywell Genesis, announces our new 25-Year Cat 5e and Cat 6 Channel System Warranty Program. Ask your DataComm Electronics or Honeywell Genesis Cable Distributor for more detail.

### DataComm Electronics Warranty Product Numbers:

**Cat 5e Jack:** Series 20-3425-\*\*: AL, BK, BL, BR, GY, IV, LA, OR, RD, WH, YW

**Cat 5e Patch Panels:** 20-5502, 20-5512, 20-5524 and 20-5548

#### Cat 5e Patch Cords:

- 1 ft: 20-6501-BL, WH
- 3 ft: 20-6503-BL, WH
- 7 ft: 20-6507-BL, WH
- 15 ft: 20-6515-BL, WH
- 25 ft: 20-6525-BL, WH
- 50 ft: 20-6550-BL, WH

**Cat 6 Jack :** Series 20-3426-\*\*: AL, BK, BL, BR, GY, IV, LA, OR, WH

**Cat 6 Patch Panels:** 20-5602, 20-5612, 20-5624 and 20-5648

#### Cat 6 Patch Cords:

- 1 ft: 20-6601-BL, WH
- 3 ft: 20-6603-BL, WH
- 7 ft: 20-6607-BL, WH
- 15 ft: 20-6615-BL, WH
- 25 ft: 20-6625-BL, WH
- 50 ft: 20-6650-BL, WH

### Now Available:

New High Performance Cat 6 Jack (20-3426-\*\*)



Data Transmission up to 250 MHz

### Qualifying Honeywell Genesis Part Numbers:

**Cat 5e Cable:** 5078, 5088, 5090

**Cat 6 Cable:** 5092, 5102